

# MAXIMUM POWER FOR NEW CHALLENGES

*BLADEMAX 650*



# HIGHEST PERFORMANCE EVER!

THE STRONGEST BLADELIFTER ON THE MARKET

## + HIGHEST STABILITY & MAXIMUM SAFETY

Patented Roto-Translation and Patented SCS - Stability Control System: The highest available stability on the market without additional movable balast. The safest one on the market.

## + FLEXIBLE OPERATION SYSTEM

Operation with modular selfpropelled vehicles and modular trailers: Fixation between headers or on top of the vehicle.

COMBINATION WITH GOOSENECK

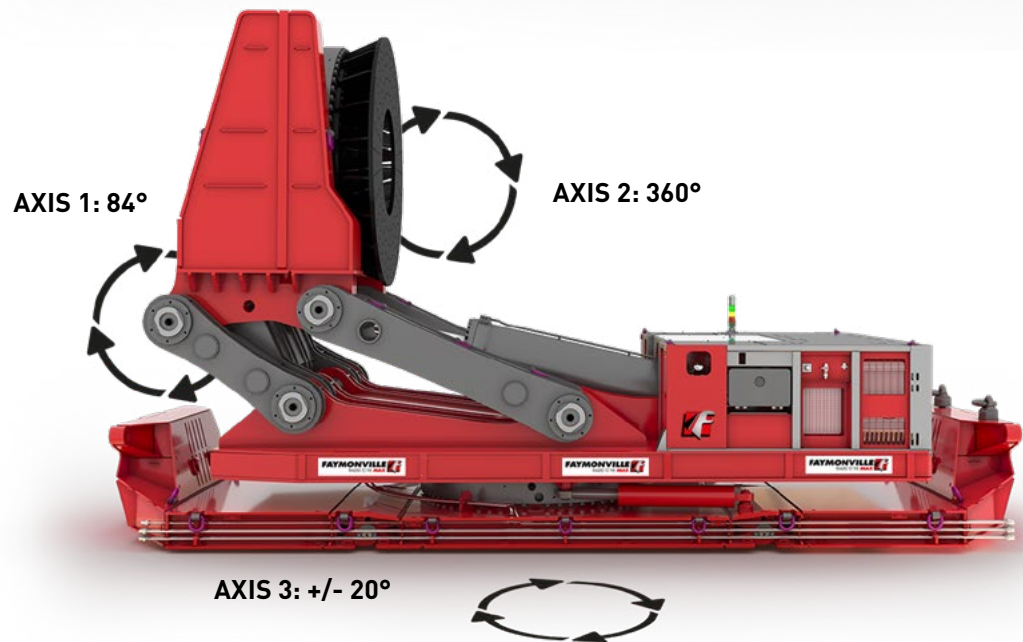
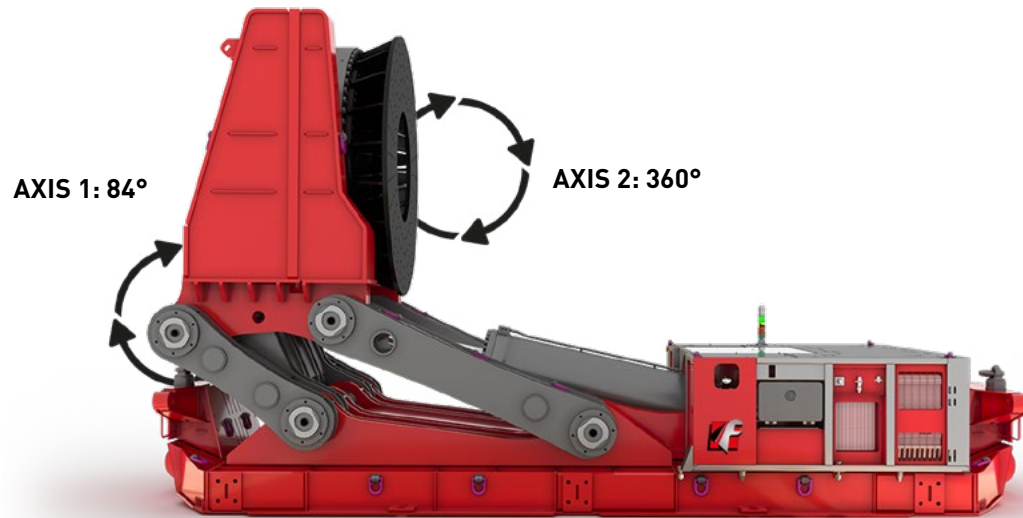


COMBINATION WITH DRAWBAR



COMBINATION WITH MODULAR SELFPROPELLED VEHICLE





### 2 AXIS STANDARD VERSION

MAX. ADMITTED BLADE TORQUE	6.500 kNm (650mT)
MAX. LIFTING ANGLE - AXIS 1	84°
MAX. ROTATION ON BLADE - AXIS 2	360°
TARE WEIGHT WITHOUT ROOT INTERFACE	40t
MAX. HEIGHT - AXIS 1 = 0°	4.050mm
MIN. HEIGHT WITHOUT BLADEADAPTER AXIS 1 = 84°	2.920mm
LENGTH	7.200mm
WIDTH	2.990mm

### 3 AXIS SPECIAL VERSION

MAX. ADMITTED BLADE TORQUE - AXIS 3 = 0°	6.500 kNm (650mT)
MAX. ADMITTED BLADE TORQUE - AXIS 3 > 0°	3.500 kNm (350mT)
MAX. LIFTING ANGLE - AXIS 1	84°
MAX. ROTATION ON BLADE - AXIS 2	360°
MAX. SIDE ROTATION - AXIS 3	+/- 20°
TARE WEIGHT WITHOUT ROOT INTERFACE	55t
MAX. HEIGHT - AXIS 1 = 0°	4.480mm
MIN. HEIGHT WITHOUT BLADEADAPTER AXIS 1 = 84°	3.550mm
LENGTH	7.800mm
WIDTH	2.990mm

[www.faymonville.com](http://www.faymonville.com)



**FAYMONVILLE DISTRIBUTION AG**

8, Duarrefstrooss | L-9990 Weiswampach  
T: +352 26 90 04 155 | F: +352 26 90 04 425  
[sales@faymonville.com](mailto:sales@faymonville.com)

Powered by **FAYMONVILLE**  
GROUP 

